

■ **DCMJ**  
Standard Duty

■ **DCM**  
Heavy Duty



# Drum Handling Forklift Attachments

**LIFT**  **MATIC™**  
**LIFT**  **MATIC**

BECAUSE SAFETY IS NO ACCIDENT



# THE STANDARD DUTY DCMJ

For *standard duty applications* — *single-shift plants and warehouses receiving, storing, and shipping 1,000 drums or less per month* — we suggest the **DCMJ**. Engineered to the highest standards in the industry, the **DCMJ** is recommended for all types of **rimmed steel and plastic drums**. Mechanical fibre drum guards allow for dependable handling of an **occasional fibre drum** as well. The **DCMJ** is a totally automatic and completely **mechanical piece of equipment**. No hydraulic or electrical connections are ever required, and the **DCMJ fits on any lift truck**. It carries a capacity of **1,000 pounds per drum** and provides up to 10 years of reliable service with only minimal preventive maintenance. The **DCMJ** is protected by 1-year warranty, the longest in the industry, covering parts and workmanship. Individual warranty cards are available with each new Liftomatic attachment.



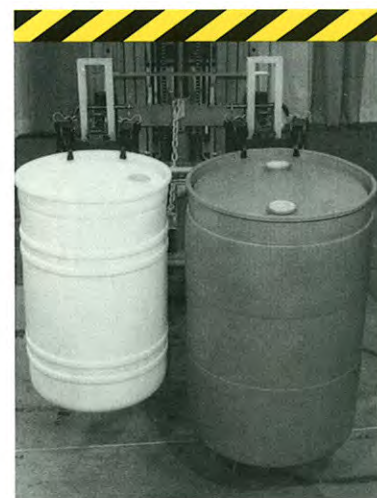
Exact side-by-side pick-up make stacking and loading an easy job. Slides right onto forks of any standard lift truck.



Jaws on DCMJ "Parrot-Beak™" grab drums perfectly for pick-up and transport.



Fibre drum guards on all DCMJ models allow for safe and dependable handling of occasional fibre drums.



Different types and sizes of drums can be handled simultaneously!



DCM and DCMJ models work perfectly on "L-Ring" style plastic drums.



Extended carriage mount (EX-CM) units handle 1, 2 drums and can be used without forks in racking or palletizing situations. Available on DCM/DCMJ models.



# THE HEAVY DUTY DCM

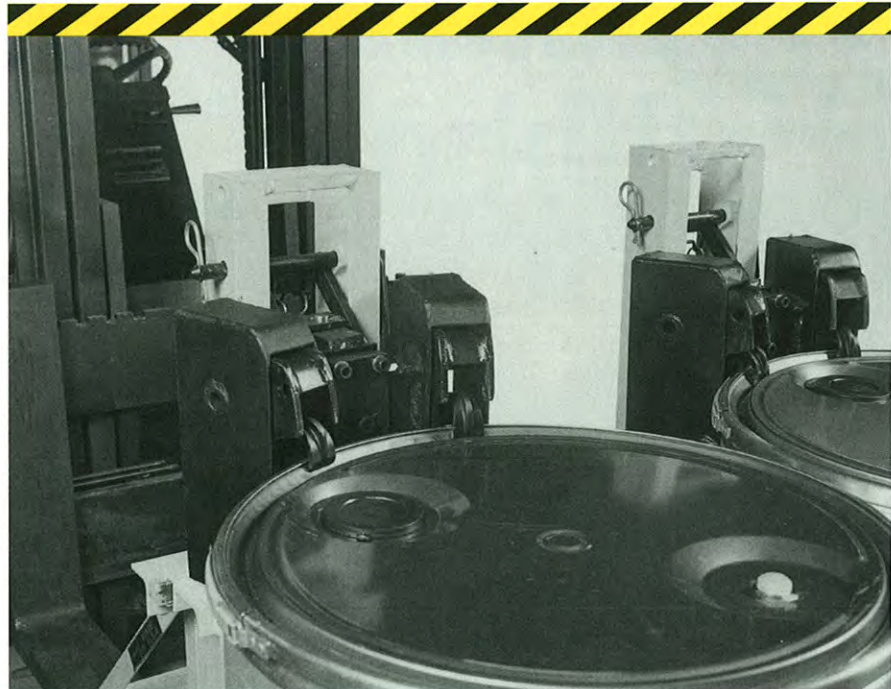
All steel construction makes the **DCM** ideal for more **demanding applications**. As a rule of thumb, we recommend the **DCM** for **high traffic, multi-shift operations handling 1,000 drums or more per month**. The **DCM** is powerful enough to handle **steel and poly drums weighing up to 2,000 pounds**, yet sensitive enough to safely and easily handle **fibre drums** as well— **automatically**. The **DCM** is a totally **automatic** and completely **mechanical** piece of equipment. No hydraulic or electrical connections are ever required, and the **DCM** will fit on any lift truck. Routine maintenance will ensure up to 20 years of reliable service. The **DCM** is protected by 1-year warranty — the longest in the industry — covering parts and workmanship.



**LIFT**  **MATIC™**  
**LIFT**  **MATIC**

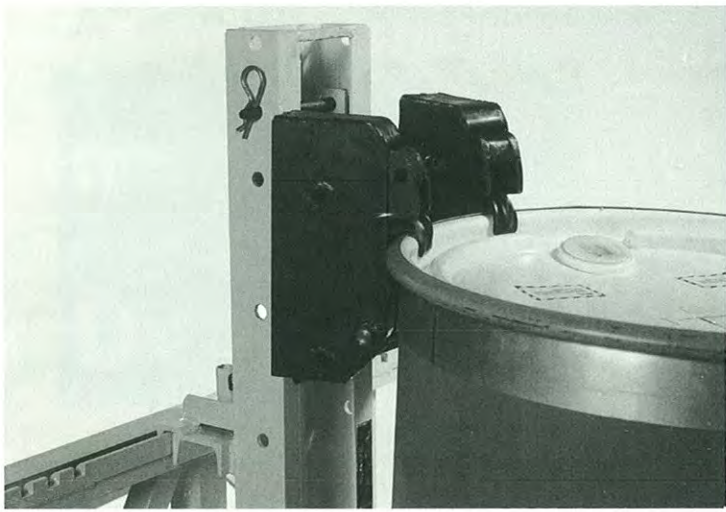
The rugged DCM models (for 1, 2 or 3 drums at a time) are designed for any application requiring that drums be picked, stacked, stored and shipped. Drums are handled safely and efficiently with no manual handling required! Best of all, the built-in versatility of the DCM assures that virtually any standard steel, plastic or fibre drum with a

top lip/chime can be handled, including the newer L-Ring style plastic drums with the integral handling ring. With the use of hardened steel components and investment cast jaws, the DCM is built to withstand the punishment of the most demanding operations.

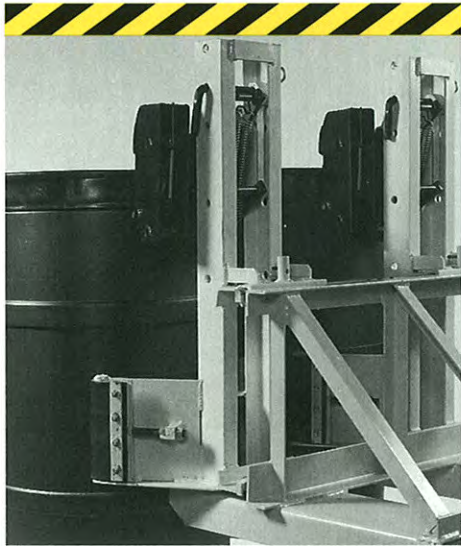


Double "Parrot-Beak™" clamps assure safe, dependable handling on all standard steel, plastic and fibre drums.





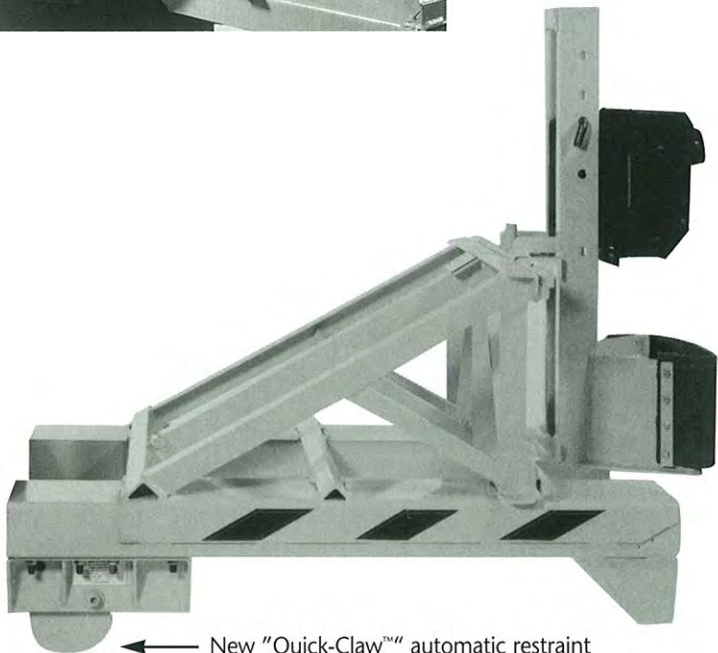
Patented twin "Parrot-Beak"™ system grips every drum – tight head and removable lid!



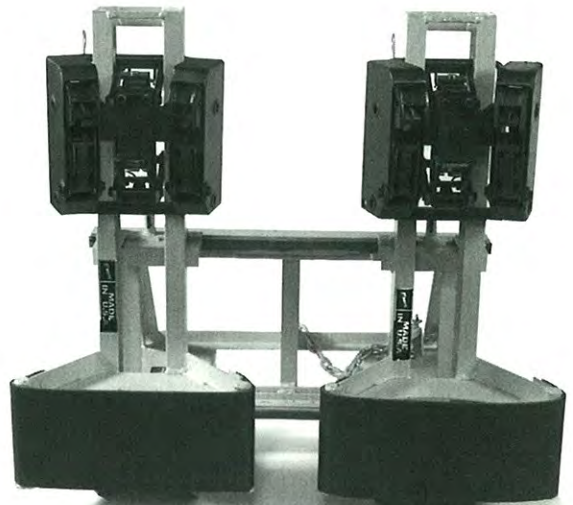
Unique clamping system allows drivers to work from behind the load, making truck/container loading safer, faster, easier.



Vertical adjustment feature allows the clamp heads on any DCM/DCMJ unit to be raised and lowered to match specific drum heights.



← New "Quick-Claw"™ automatic restraint system locks attachment to forks automatically, eliminating the need for a safety chain to be applied by the forklift driver. Available as an option on any fork mounted DCM/DCMJ model.



Padded belt cradles protect drum loads from denting or scratching during transport. Belts are fully adjustable and easy to replace. Cotton/nylon blend, rubber, and extra heavy duty PVC belts available.



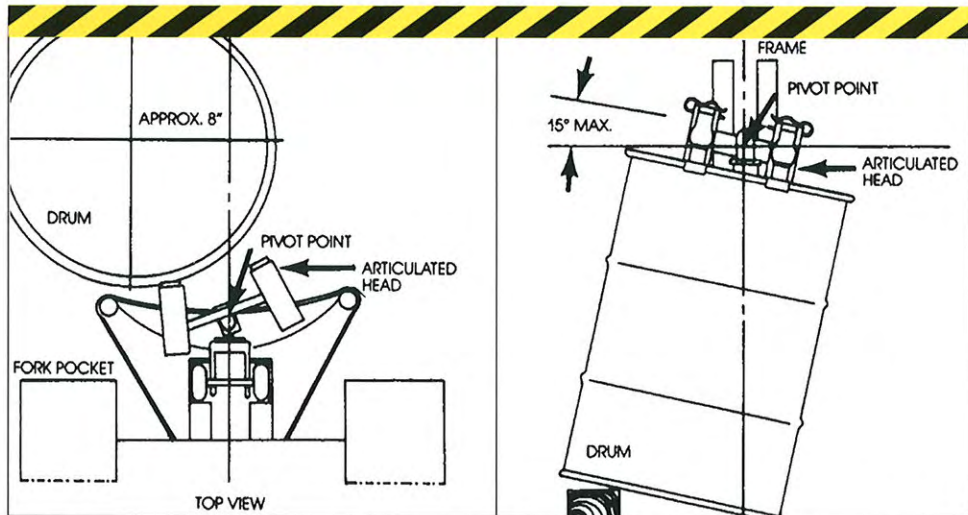
# LIFTOMATIC™

## THE STANDARD DUTY DCMJ

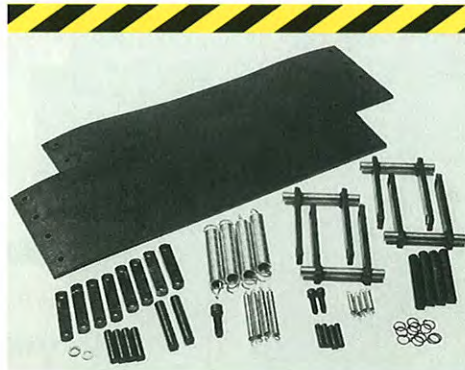
## THE HEAVY DUTY DCM



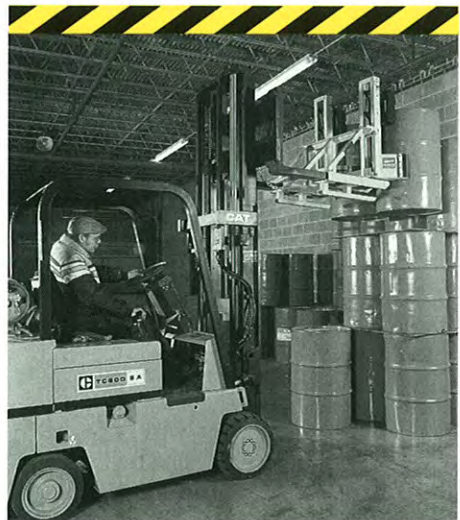
Handle all your drums - steel, poly and fibre - DCM and DCMJ models are compatible with all standard drum designs.



Swivel heads make the drivers job easier - no pin-point accuracy required! Allows for quick handling of drums separated by 4" or more. Standard on all DCM/DCMJ models.



Easy-to-use preventive maintenance kits are available to keep any DCM/DCMJ unit working at top levels.

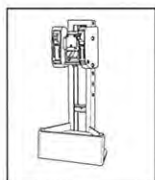


All DCM/DCMJ "Parrot-Beak™" models can be easily used for vertical stacking without the use of costly pallets.





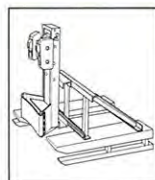
## DCM AND DCMJ OPTIONAL FEATURES



### CM: Carriage Mount

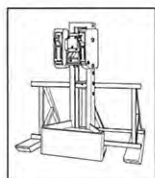
#### EX-CM: Extended Carriage Mount

You can use 1, 2, or 3 units to safely, easily, and economically handle drums for transporting or loading/unloading. Extended Carriage Mount for palletizing also available.



### SF: Stub Forks

Attaches to any PW-SOM or ADJ-SOM for handling empty pallets using the Liftomatic attachment.



### PW-SOM: Permanent Weld Slide-On Mount

Single drum models only. Must always be used fork mounted. Good for minimum space working conditions.



### UE: Upender Cradle

Allows operators to raise steel drums from horizontal to vertical position, and then to transport them. This option cannot be used in conjunction with the belt cradle features.



### ADJ-SOM: Adjustable Slide-On Mount

Standard on all Liftomatic attachments unless otherwise specified. Allows units to be used either fork or carriage mounted.



### SRJ: Spark Resistant Jaws DCM Models Only

Composed of a bronze/aluminum alloy, SRJs are used in low-flashpoint, red label areas where flammables are a concern. Stronger and safer than the copper beryllium combinations previously used, SRJs must be used with belt cradle units and are only available on DCM models.

## Standard Duty Applications

Model	Capacity (lbs/kg)	Weight (lbs/kg)	H x L x W (In) (mm)		Drums Handled	Description*
1-CM-DCMJ	1000/450	90/40.5	35x15x18	889x381x457	1	Carriage mounted, single drum, belt cradle
1-EX-CM-DCMJ	1000/450	116/53	35x30x18	889x762x457	1	Extended carriage mounted, single drum, belt cradle
1-DCMJ-SOM	1000/450	220/99	39x34x33	991x864x838	1	Adjustable slide-on mounting single drum, belt cradle
2-DCMJ-SOM	2000/900	310/141	39x34x33	991x864x838	1-2	Adjustable slide-on mounting, double drum, belt cradles
1-DCMJ-PW-SOM	1000/450	155/70	39x32x24	991x813x610	1	Permanent slide-on mounting, single drum, belt cradle

## Heavy Duty Applications

Model	Capacity (lbs/kg)	Weight (lbs/kg)	H x L x W (In) (mm)		Drums Handled	Description*
1-CM-DCM-BC	2000/900	115/52	35x15x18	889x381x457	1	Carriage mounted, single drum, belt cradle
1-EX-CM-DCM-BC	2000/900	215/98	35x31x18	889x787x457	1	Extended carriage mounted, single drum, belt cradle
1-DCM-BC-ADJ-SOM	2000/900	305/138	39x45x33	991x1143x838	1	Adjustable slide-on mounting, single drum, belt cradle
2-DCM-BC-ADJ-SOM	4000/1800	420/189	39x45x33	991x1143x838	1-2	Adjustable slide-on mounting, double drum, belt cradles
1-DCM-BC-PW-SOM	2000/900	250/113	39x45x24	991x1143x610	1	Permanent slide-on mounting, single drum, belt cradle

\*Both standard and heavy duty application models feature double clamping mechanism (DCM)



Distributed By:

### Liftomatic Material Handling, Inc.

700 Dartmouth Lane Phone: 847-325-2930  
Buffalo Grove, IL 60089 Fax: 847-325-2959  
www.liftomatic.com