

360° Rotation

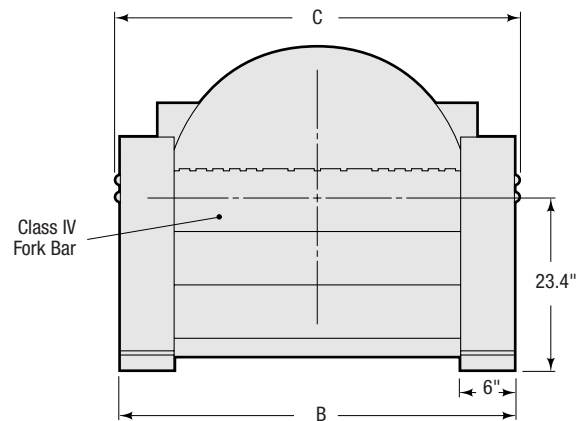
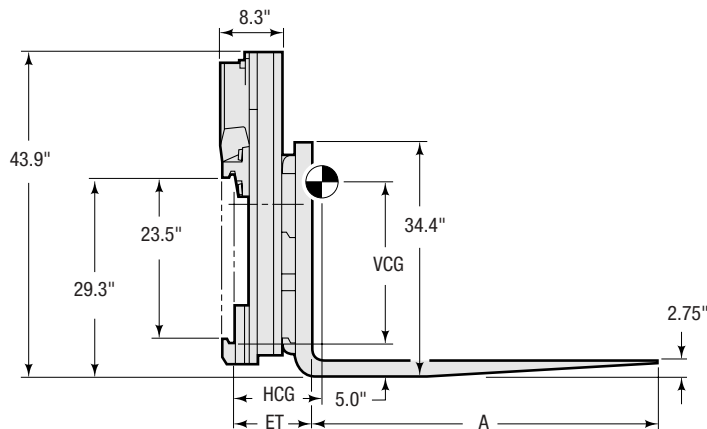
Capacity @ 24" (600 mm) Load Center ^①		Fork Length	Fork Bar Width (Fork Spread)	Catalog Order No.	Mtg. Class	Mtg. Angle ^①	Min. Truck Carriage Width	Weight		Effective Thickness	Horizontal Ctr. of Gravity	Vertical Ctr. of Gravity	Overall Width
lbs	kg	A	B					lbs	kg	ET	HCG	VCG	C
12,000	5,450	w/o Forks ^②	49"	120D-RRB-10C	IV	0°	40"	1,600	726	6.8"	3.8"	15.8"	50.5"
12,000	5,450	w/o Forks ^②	49"	120D-RRB-10H	IV	4°	40"	1,575	715	5.6"	2.6"	15.9"	50.5"
12,000	5,450	w/o Forks ^②	61"	120D-RRB-20C	IV	0°	40"	1,725	783	6.8"	3.9"	15.5"	62.5"
12,000	5,450	w/o Forks ^②	61"	120D-RRB-20H	IV	4°	40"	1,700	772	5.6"	2.7"	15.6"	62.5"
12,000	5,450	w/o Forks ^②	73"	120D-RRB-30C	IV	0°	40"	1,850	840	6.8"	4.0"	15.3"	74.5"
12,000	5,450	w/o Forks ^②	73"	120D-RRB-30H	IV	4°	40"	1,825	829	5.6"	2.8"	15.4"	74.5"
12,000	5,450	48"	49"	120D-RRB-14C	IV	0°	40"	2,245	1,019	9.3"	7.5"	13.9"	50.5"
12,000	5,450	48"	49"	120D-RRB-14H	IV	4°	40"	2,220	1,008	8.1"	6.4"	13.9"	50.5"
12,000	5,450	48"	61"	120D-RRB-24C	IV	0°	40"	2,375	1,078	9.3"	7.4"	13.8"	62.5"
12,000	5,450	48"	61"	120D-RRB-24H	IV	4°	40"	2,345	1,065	8.1"	6.3"	13.8"	62.5"
12,000	5,450	48"	73"	120D-RRB-34C	IV	0°	40"	2,500	1,135	9.3"	7.3"	13.7"	74.5"
12,000	5,450	48"	73"	120D-RRB-34H	IV	4°	40"	2,475	1,124	8.1"	6.2"	13.7"	74.5"
12,000	5,450	60"	49"	120D-RRB-16C	IV	0°	40"	2,320	1,053	9.3"	8.9"	13.3"	50.5"
12,000	5,450	60"	49"	120D-RRB-16H	IV	4°	40"	2,295	1,042	8.1"	7.8"	13.3"	50.5"
12,000	5,450	60"	61"	120D-RRB-26C	IV	0°	40"	2,445	1,110	9.3"	8.8"	13.2"	62.5"
12,000	5,450	60"	61"	120D-RRB-26H	IV	4°	40"	2,425	1,101	8.1"	7.6"	13.3"	62.5"
12,000	5,450	60"	73"	120D-RRB-36C	IV	0°	40"	2,570	1,167	9.3"	8.6"	13.2"	74.5"
12,000	5,450	60"	73"	120D-RRB-36H	IV	4°	40"	2,550	1,158	8.1"	7.5"	13.2"	74.5"
12,000	5,450	72"	49"	120D-RRB-17C	IV	0°	40"	2,400	1,090	9.3"	10.8"	12.7"	50.5"
12,000	5,450	72"	49"	120D-RRB-17H	IV	4°	40"	2,375	1,078	8.1"	9.6"	12.7"	50.5"
12,000	5,450	72"	61"	120D-RRB-27C	IV	0°	40"	2,530	1,149	9.3"	10.5"	12.6"	62.5"
12,000	5,450	72"	61"	120D-RRB-27H	IV	4°	40"	2,505	1,137	8.1"	9.6"	12.7"	62.5"
12,000	5,450	72"	73"	120D-RRB-37C	IV	0°	40"	2,655	1,205	9.3"	10.3"	12.6"	74.5"
12,000	5,450	72"	73"	120D-RRB-37H	IV	4°	40"	2,630	1,194	8.1"	9.2"	12.7"	74.5"

- ① Vertical mount (0° mounting angle) is recommended for lift height exceeding 180".
- ② For capacity using rotator without fork bar consult Cascade.
- ▶ Speed: 3.2 RPM @ 15 GPM. Torque: 111,000 Inch-Lbs. @ 2,000 PSI.
- ▶ Optional motors providing faster rotation are available. Reduced torque will result.

INSTALLATION KIT

Model	Catalog Order No.
120D, 150D, 200D	659245

150D ROTATORS



360° Rotation

Capacity @ 24" (600 mm) Load Center ^①		Fork Length	Fork Bar Width (Fork Spread)	Catalog Order No.	Mtg. Class	Mtg. Angle ^②	Min. Truck Carriage Width	Weight		Effective Thickness	Horizontal Ctr. of Gravity	Vertical Ctr. of Gravity	Overall Width
lbs	kg	A	B					lbs	kg	ET	HCG	VCG	C
15,000	6,810	w/o Forks ②	49"	150D-RRB-10C	IV	0°	45"	2,035	924	8.6"	4.7"	16.3"	50.5"
15,000	6,810	w/o Forks ②	49"	150D-RRB-10H	IV	4°	45"	1,995	906	6.8"	3.1"	16.8"	50.5"
15,000	6,810	w/o Forks ②	61"	150D-RRB-20C	IV	0°	45"	2,160	981	8.6"	5.0"	16.1"	62.5"
15,000	6,810	w/o Forks ②	61"	150D-RRB-20H	IV	4°	45"	2,120	963	6.8"	3.3"	16.6"	62.5"
15,000	6,810	w/o Forks ②	73"	150D-RRB-30C	IV	0°	45"	2,290	1,040	8.6"	5.1"	15.9"	74.5"
15,000	6,810	w/o Forks ②	73"	150D-RRB-30H	IV	4°	45"	2,245	1,019	6.8"	3.4"	16.3"	74.5"
15,000	6,810	48"	49"	150D-RRB-14C	IV	0°	45"	2,725	1,237	11.3"	8.2"	14.6"	50.5"
15,000	6,810	48"	49"	150D-RRB-14H	IV	4°	45"	2,685	1,219	9.6"	6.6"	14.8"	50.5"
15,000	6,810	48"	61"	150D-RRB-24C	IV	0°	45"	2,850	1,294	11.3"	8.2"	14.5"	62.5"
15,000	6,810	48"	61"	150D-RRB-24H	IV	4°	45"	2,810	1,276	9.6"	6.6"	14.7"	62.5"
15,000	6,810	48"	73"	150D-RRB-34C	IV	0°	45"	2,980	1,353	11.3"	8.2"	14.4"	74.5"
15,000	6,810	48"	73"	150D-RRB-34H	IV	4°	45"	2,935	1,333	9.6"	6.5"	14.6"	74.5"
15,000	6,810	60"	49"	150D-RRB-16C	IV	0°	45"	2,840	1,289	11.3"	9.9"	13.9"	50.5"
15,000	6,810	60"	49"	150D-RRB-16H	IV	4°	45"	2,795	1,269	9.6"	8.3"	14.1"	50.5"
15,000	6,810	60"	61"	150D-RRB-26C	IV	0°	45"	2,965	1,346	11.3"	9.8"	13.8"	62.5"
15,000	6,810	60"	61"	150D-RRB-26H	IV	4°	45"	2,925	1,328	9.6"	8.2"	14.0"	62.5"
15,000	6,810	60"	73"	150D-RRB-36C	IV	0°	45"	3,090	1,403	11.3"	9.7"	13.7"	74.5"
15,000	6,810	60"	73"	150D-RRB-36H	IV	4°	45"	3,050	1,385	9.6"	8.1"	13.9"	74.5"
15,000	6,810	72"	49"	150D-RRB-17C	IV	0°	45"	2,950	1,339	11.3"	11.9"	13.2"	50.5"
15,000	6,810	72"	49"	150D-RRB-17H	IV	4°	45"	2,910	1,321	9.6"	10.3"	13.4"	50.5"
15,000	6,810	72"	61"	150D-RRB-27C	IV	0°	45"	3,075	1,396	11.3"	11.7"	13.2"	62.5"
15,000	6,810	72"	61"	150D-RRB-27H	IV	4°	45"	3,035	1,378	9.6"	10.1"	13.3"	62.5"
15,000	6,810	72"	73"	150D-RRB-37C	IV	0°	45"	3,205	1,455	11.3"	11.5"	13.1"	74.5"
15,000	6,810	72"	73"	150D-RRB-37H	IV	4°	45"	3,160	1,435	9.6"	9.9"	13.3"	74.5"

- ① Vertical mount (0° mounting angle) is recommended for lift height exceeding 180".
- ② For capacity using rotator without fork bar consult Cascade.
- ▶ Speed: 3.1 RPM @ 20 GPM. Torque: 126,000 Inch-Lbs. @ 2,000 PSI.
- ▶ Optional motors providing faster rotation are available. Reduced torque will result.

INSTALLATION KIT

Model	Catalog Order No.
120D, 150D, 200D	659245