



Add rotating capability to your forklift.

APPLICATIONS

D-Series Rotators give your driver the ability to quickly dump or invert a load, and then immediately return the forks to the pick-up position in one continuous motion. Cascade rotators are widely used in food processing, automotive manufacturing, chemical processing, recycling operations, smelting and casting operations, and general manufacturing—anywhere it is necessary to dump bins or tote boxes.

FEATURES

- **Rugged Construction**—Cascade's gear drive box and ring gear design are proven to provide superior service life.
- **Visibility**—The drive box and motor are positioned behind the baseplate to provide maximum visibility for the forklift driver.
- **Rotational Torque**—Good torque specifications ensure smooth, positive rotation of the load.
- **Fork Bar Width**—Many fork bar widths are available to suit a wide variety of applications.
- **Forks**—Rotators may be ordered with forks or with fork bars only.

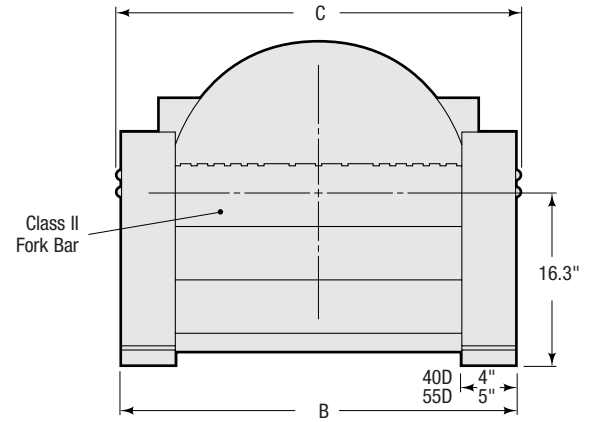
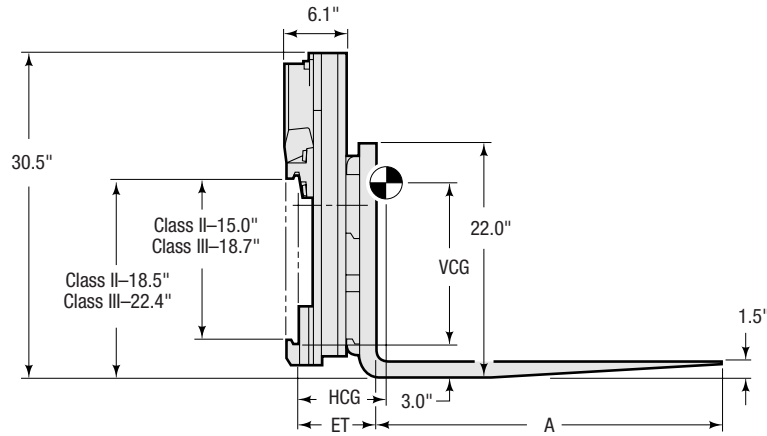
OPTIONS

- **180° Rotation Stop Group**—Used when stopping rotation at precisely 180° is desirable.
- **Special fork sizes and configurations.**
- **Quick-change Lower Mounting Hooks**—Allow the rotator to be removed or installed in a matter of minutes without tools. (Quick-change hydraulic couplers available separately)
- **Bin retainer**—Custom designed to clamp on top of bin to hold bin in place while rotating. Typically used when bin does not have fork pockets.
- **Visibility cutout through rotator.**
- **Side stabilizers.**
- **Fork side restraints.**



For load
inverting and
dumping
versatility.

40D & 55D ROTATORS



360° Rotation

Capacity @ 24" (600 mm) Load Center ^①		Fork Length	Fork Bar Width (Fork Spread)	Catalog Order No.	Mtg. Class	Mtg. Angle ^②	Min. Truck Carriage Width	Weight		Effective Thickness	Horizontal Ctr. of Gravity	Vertical Ctr. of Gravity	Overall Width
lbs	kg	A	B					lbs	kg	ET	HCG	VCG	C
4,000	1,815	w/o Forks	32"	40D-RRB-10A	II	0°	32"	660	300	5.9"	3.1"	11.9"	33"
4,000	1,815	w/o Forks	37"	40D-RRB-20A	II	0°	32"	680	309	5.9"	3.1"	11.9"	38"
4,000	1,815	30"	32"	40D-RRB-11A	II	0°	32"	820	372	7.4"	4.9"	10.2"	33"
4,000	1,815	30"	37"	40D-RRB-21A	II	0°	32"	840	381	7.4"	4.9"	10.2"	38"
4,000	1,815	36"	32"	40D-RRB-12A	II	0°	32"	840	381	7.4"	5.6"	10.1"	33"
4,000	1,815	36"	37"	40D-RRB-22A	II	0°	32"	860	390	7.4"	5.6"	10.1"	38"
4,000	1,815	42"	32"	40D-RRB-13A	II	0°	32"	865	393	7.4"	6.3"	9.5"	33"
4,000	1,815	42"	37"	40D-RRB-23A	II	0°	32"	885	402	7.4"	6.3"	9.5"	38"
4,000	1,815	48"	32"	40D-RRB-14A	II	0°	32"	885	402	7.4"	7.2"	9.4"	33"
4,000	1,815	48"	37"	40D-RRB-24A	II	0°	32"	905	411	7.4"	7.2"	9.4"	38"
5,000	2,270	w/o Forks	37"	55D-RRB-10A	II	0°	32"	690	313	5.9"	3.2"	10.7"	38"
5,000	2,270	w/o Forks	37"	55D-RRB-10B	III	0°	32"	725	329	7.5"	4.5"	11.4"	38"
5,000	2,270	w/o Forks	45"	55D-RRB-20A	II	0°	32"	720	327	5.9"	3.3"	10.5"	46"
5,000	2,270	w/o Forks	45"	55D-RRB-20B	III	0°	32"	755	343	7.5"	4.6"	11.2"	46"
5,000	2,270	36"	37"	55D-RRB-12A	II	0°	32"	915	415	7.4"	6.0"	9.4"	38"
5,000	2,270	36"	37"	55D-RRB-12B	III	0°	32"	950	431	9.0"	7.2"	9.2"	38"
5,000	2,270	36"	45"	55D-RRB-22A	II	0°	32"	945	429	7.4"	6.0"	8.4"	46"
5,000	2,270	36"	45"	55D-RRB-22B	III	0°	32"	980	445	9.0"	7.2"	9.1"	46"
5,000	2,270	42"	37"	55D-RRB-13A	II	0°	32"	945	429	7.4"	7.0"	8.8"	38"
5,000	2,270	42"	37"	55D-RRB-13B	III	0°	32"	980	445	9.0"	8.1"	8.9"	38"
5,000	2,270	42"	45"	55D-RRB-23A	II	0°	32"	975	443	7.4"	6.9"	7.4"	46"
5,000	2,270	42"	45"	55D-RRB-23B	III	0°	32"	1,010	459	9.0"	8.1"	8.8"	46"
5,000	2,270	48"	37"	55D-RRB-14A	II	0°	32"	970	440	7.4"	7.9"	7.7"	38"
5,000	2,270	48"	37"	55D-RRB-14B	III	0°	32"	1,005	456	9.0"	9.0"	8.6"	38"
5,000	2,270	48"	45"	55D-RRB-24A	II	0°	32"	1,000	454	7.4"	7.9"	7.7"	46"
5,000	2,270	48"	45"	55D-RRB-24B	III	0°	32"	1,030	468	9.0"	9.0"	8.5"	46"
5,000	2,270	54"	37"	55D-RRB-15A	II	0°	32"	995	452	7.4"	9.1"	7.5"	38"
5,000	2,270	54"	37"	55D-RRB-15B	III	0°	32"	1,030	468	9.0"	10.1"	8.3"	38"
5,000	2,270	54"	45"	55D-RRB-25A	II	0°	32"	1,025	465	7.4"	8.9"	7.4"	46"
5,000	2,270	54"	45"	55D-RRB-25B	III	0°	32"	1,060	481	9.0"	10.0"	8.2"	46"

① Rotator rating limited by fork capacity.

② Vertical mount (0° mounting angle) is recommended for lift heights exceeding 180". 4° mounting also available.

INSTALLATION KIT

Catalog Order No.
659245

HYDRAULIC FUNCTIONS

Hydraulic Functions	Truck Aux. Valves Required
1	1

HYDRAULIC FLOW & PRESSURE

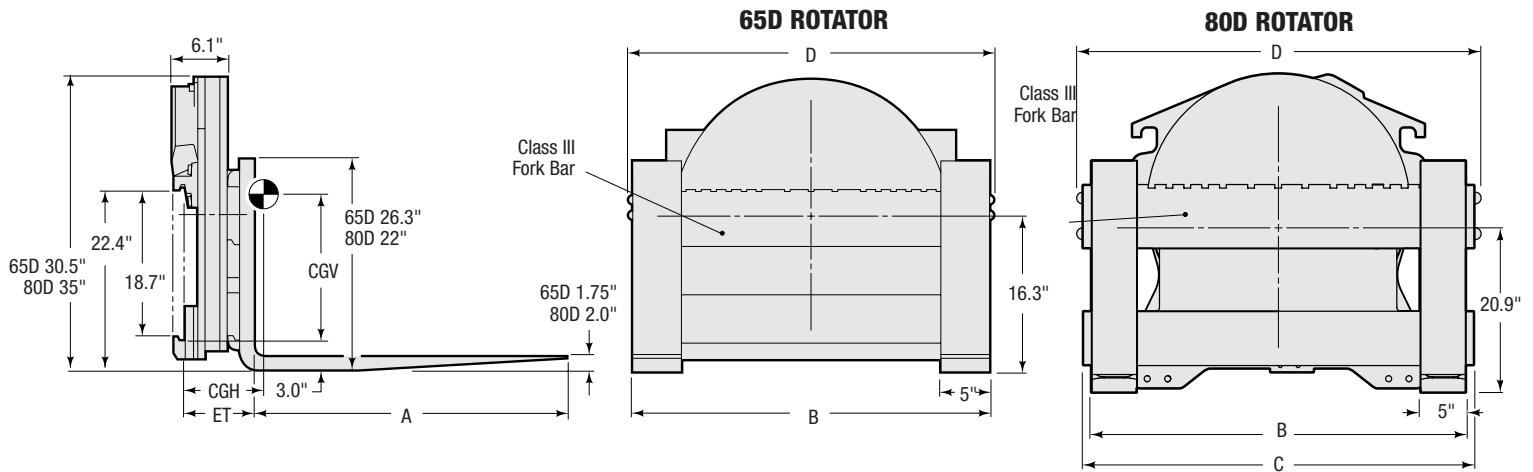
Minimum Flow	Recommended Flow	Maximum Flow	Maximum Pressure
5 GPM	10 GPM	15 GPM	2,300 PSI/159 bar

ROTATOR SPECIFICATIONS

Model	Rotator Speed	Rotator Torque
40D	7.0 RPM @ 15 GPM	63,000 Inch-Lbs. @ 2300 PSI
55D ①	5.2 RPM @ 15 GPM	80,000 Inch-Lbs. @ 2300 PSI

① Optional motors providing faster rotation are available. Reduced torque will result.

65D & 80D ROTATORS



360° Rotation

Capacity @ 24" (600 mm) Load Center ^①		Fork Length		Fork OTD (5" forks)		Fork Bar Width Max & Fork Spread (6" forks)		Catalog Order No.	Mtg. Class	Mtg. Angle ^③	Min. Truck Carriage Width	Weight	Effective Thickness	Horizontal Ctr. of Gravity	Vertical Ctr. of Gravity	Overall Width
lbs	kg	A	B	C			ET									
6,500	2,950	w/o Forks	42"	-	65D-RRB-10B	III	0°	32"	860	390	7.9"	4.9"	11.5"	43"		
6,500	2,950	w/o Forks	48"	-	65D-RRB-20B	III	0°	32"	895	406	7.9"	5.0"	11.5"	49"		
6,500	2,950	42"	42"	-	65D-RRB-13B	III	0°	32"	1,170	531	9.7"	8.3"	9.8"	43"		
6,500	2,950	42"	48"	-	65D-RRB-23B	III	0°	32"	1,205	547	9.7"	8.3"	9.8"	49"		
6,500	2,950	48"	42"	-	65D-RRB-14B	III	0°	32"	1,200	545	9.7"	9.2"	9.5"	43"		
6,500	2,950	48"	48"	-	65D-RRB-24B	III	0°	32"	1,235	561	9.7"	9.1"	9.5"	49"		
6,500	2,950	54"	42"	-	65D-RRB-15B	III	0°	32"	1,230	558	9.7"	10.3"	9.2"	43"		
6,500	2,950	54"	48"	-	65D-RRB-25B	III	0°	32"	1,265	574	9.7"	10.2"	9.2"	49"		
8,000	3,630	w/o Forks	41" ④	42"	80D-RRB-10B	III ②	0°	33"	933	424	6.5"	3.4"	13.9"	42"		
8,000	3,630	w/o Forks	47" ④	48"	80D-RRB-20B	III ②	0°	33"	969	440	6.5"	3.5"	13.7"	48"		
8,000	3,630	w/o Forks	59" ④	60"	80D-RRB-30B	III ②	0°	33"	1,039	472	6.5"	3.7"	13.5"	60"		
8,000	3,630	42"	41" ④	42"	80D-RRB-13B	III ②	0°	33"	1,268	576	8.6"	7.0"	11.2"	43"		
8,000	3,630	42"	47" ④	48"	80D-RRB-23B	III ②	0°	33"	1,303	592	8.6"	6.9"	11.2"	49"		
8,000	3,630	42"	59" ④	60"	80D-RRB-33B	III ②	0°	33"	1,374	624	8.6"	6.5"	11.1"	61"		
8,000	3,630	48"	41" ④	42"	80D-RRB-14B	III ②	0°	33"	1,302	591	8.6"	7.9"	10.8"	43"		
8,000	3,630	48"	47" ④	48"	80D-RRB-24B	III ②	0°	33"	1,337	607	8.6"	7.9"	10.8"	49"		
8,000	3,630	48"	59" ④	60"	80D-RRB-34B	III ②	0°	33"	1,408	639	8.6"	7.8"	10.8"	61"		
8,000	3,630	54"	41" ④	42"	80D-RRB-15B	III ②	0°	33"	1,336	607	8.6"	9.0"	10.5"	43"		
8,000	3,630	54"	47" ④	48"	80D-RRB-25B	III ②	0°	33"	1,371	622	8.6"	8.9"	10.5"	49"		
8,000	3,630	54"	59" ④	60"	80D-RRB-35B	III ②	0°	33"	1,442	655	8.6"	8.7"	10.5"	61"		
8,000	3,630	60"	41" ④	42"	80D-RRB-16B	III ②	0°	33"	1,370	622	8.6"	10.1"	10.2"	43"		
8,000	3,630	60"	47" ④	48"	80D-RRB-26B	III ②	0°	33"	1,405	638	8.6"	10.0"	10.2"	49"		
8,000	3,630	60"	59" ④	60"	80D-RRB-36B	III ②	0°	33"	1,476	670	8.6"	9.8"	10.2"	61"		

- ① Rotator rating limited by fork capacity.
- ② Class IV mounting available.
- ③ Vertical mount (0° mounting angle) is recommended for lift heights exceeding 180". 4° mounting also available.
- ④ Shipped with 5" forks. Will accept 6" forks with above noted fork spread (C).

INSTALLATION KIT

Catalog Order No.
659245

HYDRAULIC FUNCTIONS

Hydraulic Functions	Truck Aux. Valves Required
1	1

HYDRAULIC FLOW & PRESSURE

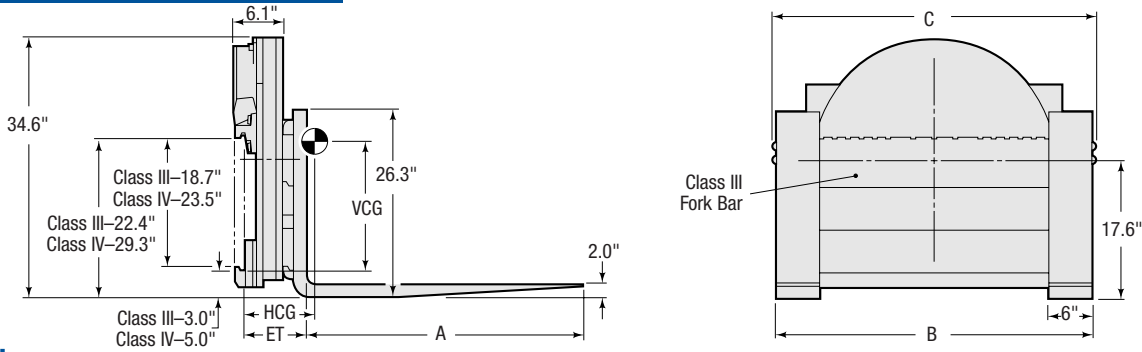
Minimum Flow	Recommended Flow	Maximum Flow	Maximum Pressure
5 GPM	10 GPM	15 GPM	2,300 PSI/159 bar

ROTATOR SPECIFICATIONS

Model	Rotator Speed	Rotator Torque
65D/80D ①	5.2 RPM @ 15 GPM	80,000 Inch-Lbs. @ 2300 PSI

- ① Optional motors providing faster rotation are available. Reduced torque will result.

100D ROTATOR



360° Rotation

Capacity @ 24" (600 mm) Load Center		Fork Length	Fork Bar Width (Fork Spread)	Catalog Order No.	Mtg. Class	Mtg. Angle ①	Min. Truck Carriage Width	Weight		Effective Thickness	Horizontal Ctr. of Gravity	Vertical Ctr. of Gravity	Overall Width
lbs	kg	A	B					lbs	kg	ET	HCG	VCG	C
10,000	4,540	w/o Forks	42"	100D-RRB-10B	III	0°	37"	1,025	465	6.4"	3.3"	13.4"	43"
10,000	4,540	w/o Forks	42"	100D-RRB-10C	IV	0°	37"	1,140	518	8.7"	5.2"	11.2"	43"
10,000	4,540	w/o Forks	48"	100D-RRB-30B	III	0°	37"	1,060	481	6.4"	3.4"	13.3"	49"
10,000	4,540	w/o Forks	48"	100D-RRB-30C	IV	0°	37"	1,175	533	8.7"	5.2"	11.2"	49"
10,000	4,540	w/o Forks	60"	100D-RRB-20B	III	0°	37"	1,130	513	6.4"	3.6"	13.0"	61"
10,000	4,540	w/o Forks	60"	100D-RRB-20C	IV	0°	37"	1,245	565	8.7"	5.4"	10.8"	61"
10,000	4,540	42"	42"	100D-RRB-13B	III	0°	37"	1,445	656	8.4"	6.8"	10.5"	43"
10,000	4,540	42"	42"	100D-RRB-13C	IV	0°	37"	1,560	708	10.7"	8.5"	8.5"	43"
10,000	4,540	42"	48"	100D-RRB-33B	III	0°	37"	1,480	671	8.4"	6.8"	10.5"	49"
10,000	4,540	42"	48"	100D-RRB-33C	IV	0°	37"	1,595	723	10.7"	8.5"	8.5"	49"
10,000	4,540	42"	60"	100D-RRB-23B	III	0°	37"	1,550	704	8.4"	6.8"	10.5"	61"
10,000	4,540	42"	60"	100D-RRB-23C	IV	0°	37"	1,665	756	10.7"	8.5"	8.5"	61"
10,000	4,540	48"	42"	100D-RRB-14B	III	0°	37"	1,485	674	8.4"	7.8"	10.2"	43"
10,000	4,540	48"	42"	100D-RRB-14C	IV	0°	37"	1,600	726	10.7"	9.4"	8.1"	43"
10,000	4,540	48"	48"	100D-RRB-34B	III	0°	37"	1,520	689	8.4"	7.8"	10.2"	49"
10,000	4,540	48"	48"	100D-RRB-34C	IV	0°	37"	1,635	742	10.7"	9.4"	8.1"	49"
10,000	4,540	48"	60"	100D-RRB-24B	III	0°	37"	1,590	722	8.4"	7.6"	10.1"	61"
10,000	4,540	48"	60"	100D-RRB-24C	IV	0°	37"	1,705	774	10.7"	9.3"	8.2"	61"
10,000	4,540	54"	42"	100D-RRB-15B	III	0°	37"	1,525	692	8.4"	8.8"	9.9"	43"
10,000	4,540	54"	42"	100D-RRB-15C	IV	0°	37"	1,640	745	10.7"	10.6"	7.9"	43"
10,000	4,540	54"	48"	100D-RRB-35B	III	0°	37"	1,560	708	8.4"	8.8"	9.9"	49"
10,000	4,540	54"	48"	100D-RRB-35C	IV	0°	37"	1,675	760	10.7"	10.6"	7.9"	49"
10,000	4,540	54"	60"	100D-RRB-25B	III	0°	37"	1,630	740	8.4"	8.6"	9.8"	61"
10,000	4,540	54"	60"	100D-RRB-25C	IV	0°	37"	1,750	795	10.7"	10.2"	7.8"	61"
10,000	4,540	60"	42"	100D-RRB-16B	III	0°	37"	1,565	711	8.4"	10.0"	9.5"	43"
10,000	4,540	60"	42"	100D-RRB-16C	IV	0°	37"	1,685	765	10.7"	11.5"	7.5"	43"
10,000	4,540	60"	48"	100D-RRB-36B	III	0°	37"	1,600	726	8.4"	9.9"	9.5"	49"
10,000	4,540	60"	48"	100D-RRB-36C	IV	0°	37"	1,720	780	10.7"	11.5"	7.5"	49"
10,000	4,540	60"	60"	100D-RRB-26B	III	0°	37"	1,670	758	8.4"	9.7"	9.5"	61"
10,000	4,540	60"	60"	100D-RRB-26C	IV	0°	37"	1,790	813	10.7"	11.3"	7.5"	61"

① Vertical mount (0° mounting angle) is recommended for lift height exceeding 180". 4° mounting also available.

INSTALLATION KIT

Catalog Order No.
659245

HYDRAULIC FLOW & PRESSURE

Minimum Flow	Recommended Flow	Maximum Flow	Maximum Pressure
5 GPM	10 GPM	15 GPM	2,300 PSI/159 bar

HYDRAULIC FUNCTIONS

Hydraulic Functions	Truck Aux. Valves Required
1	1

ROTATOR SPECIFICATIONS

Model	Rotator Speed	Rotator Torque
100D ①	4.1 RPM @ 15 GPM	98,000 Inch-Lbs. @ 2300 PSI

① Optional motors providing faster rotation are available. Reduced torque will result.