



*100K Fork
Positioner is easy
to install, has
excellent load
capacity, and can
handle a variety
of challenging
applications.*



100K FORK POSITIONER

Cost effective fork positioning for 10,000 lb capacity warehousing and distribution

APPLICATIONS

The class III 10,000 lb capacity sideshifting fork positioner allows drivers to position forks accurately for a variety of pallet configurations, without ever leaving their seat. This new generation fork positioner is easy to install, has excellent load capacity, and can handle a variety of challenging applications.

Recommended for logistic operations in distribution, warehouse and manufacturing applications, the 100K fork positioner is a very compact unit with excellent visibility both over, and through the frame, allowing the operator to quickly, accurately, and easily position the forks at all lift heights, right from the driver's seat.

FEATURES

- OEM load backrest compatibility
- Excellent operator visibility
- No-weld installation
- Zinc plated, corrosion resistant components
- 5", 6" and 7" wide center mount fork carriers
- Center mount fork carriers

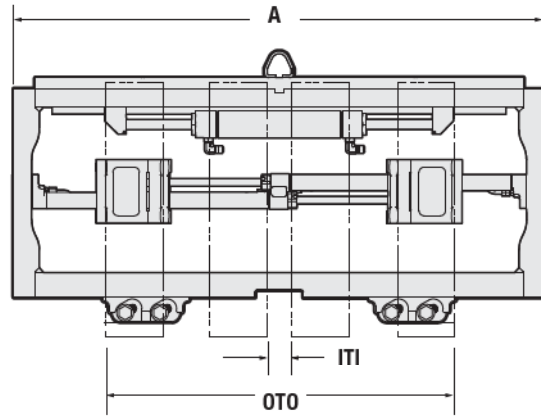
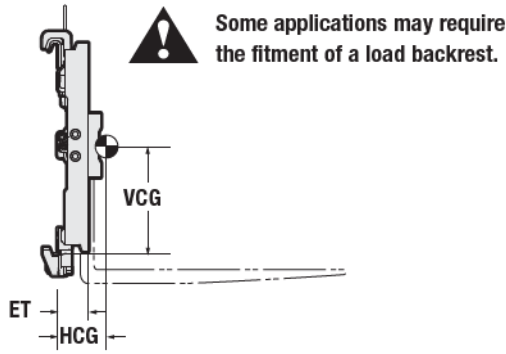
OPTIONS

- Bolt-on pallet protector/cylinder guard combinations
- Load backrests
- Bronze bearings
- Bronze lower hooks
- Radio Frequency (RF) Hydraulic Control
- Solenoid Valve Hydraulic Control
- Sequence Valve Hydraulic Control
- Non-Sideshifting (FP) units available



cascade
corporation

100K FORK POSITIONER



Sideshifting Fork Positioner

Capacity @ 24" (600 mm) Load Center		Overall Width A	Opening Range ITI/OTO	Fork Pocket Width	Catalog Order No.	Mfg. Class	Min. Truck Carriage Width	Weight		Effective Thickness ET	Horizontal Center of Gravity HCG	Vertical Center of Gravity VCG	Load Backrest Type
lbs	kg							lbs	kg				
Cascade													
10,000	4,600	40.9"	2.2"-35.0"	7" ①	100K-FPS-B051	III	36.8"	315	143	3.0"	1.5"	12.0"	A
10,000	4,600	49.0"	2.2"-43.1"	7" ①	100K-FPS-B052	III	41.9"	354	161	3.0"	1.5"	12.0"	A
Caterpillar													
10,000	4,600	39.4"	2.2"-33.4"	7" ①	100K-FPS-B200	III	34.8"	306	139	3.0"	1.5"	11.8"	A
10,000	4,600	44.3"	2.2"-38.3"	7" ①	100K-FPS-B201	III	39.8"	330	150	3.0"	1.5"	12.0"	B
10,000	4,600	46.9"	2.2"-40.9"	7" ①	100K-FPS-B203	III	39.8"	343	156	3.0"	1.5"	12.0"	A
Hyster													
10,000	4,600	42.0"	2.2"-36.1"	7" ①	100K-FPS-B001	III	36.8"	319	145	3.0"	1.5"	12.0"	B
10,000	4,600	48.0"	2.2"-42.1"	7" ①	100K-FPS-B002	III	41.9"	350	159	3.0"	1.5"	12.0"	B
Komatsu													
10,000	4,600	41.7"	2.2"-35.8"	7" ①	100K-FPS-B058	III	36.8"	319	145	3.0"	1.5"	12.0"	A
10,000	4,600	46.9"	2.2"-40.9"	7" ①	100K-FPS-B061	III	39.8"	343	156	3.0"	1.5"	12.0"	A
Linde													
10,000	4,600	45.3"	2.2"-37.8"	7" ①	100K-FPS-B016	III	39.8"	339	154	3.0"	1.5"	12.0"	B
10,000	4,600	53.1"	2.2"-47.2"	7" ①	100K-FPS-B017	III	46.7"	381	176	3.0"	1.5"	12.0"	B
Mitsubishi													
10,000	4,600	39.4"	2.2"-33.4"	7" ①	100K-FPS-B200	III	34.8"	306	139	3.0"	1.5"	11.8"	A
10,000	4,600	44.3"	2.2"-38.3"	7" ①	100K-FPS-B201	III	39.8"	330	150	3.0"	1.5"	12.0"	B
10,000	4,600	46.9"	2.2"-40.9"	7" ①	100K-FPS-B203	III	39.8"	343	156	3.0"	1.5"	12.0"	A
TCM													
10,000	4,600	43.3"	2.2"-37.4"	7" ①	100K-FPS-B081	III	36.8"	326	148	3.0"	1.5"	12.0"	A
10,000	4,600	47.6"	2.2"-41.7"	7" ①	100K-FPS-B082	III	41.9"	348	158	3.0"	1.5"	12.0"	A
10,000	4,600	51.2"	2.2"-45.2"	7" ①	100K-FPS-B218	III	46.7"	365	166	3.0"	1.5"	12.0"	A
Toyota													
10,000	4,600	42.9"	2.2"-37.0"	7" ①	100K-FPS-B141	III	36.8"	323	147	3.0"	1.5"	12.0"	A
10,000	4,600	46.1"	2.2"-40.1"	7" ①	100K-FPS-B140	III	39.8"	339	154	3.0"	1.5"	12.0"	A
TUSK													
10,000	4,600	41.7"	2.2"-35.8"	7" ①	100K-FPS-B058	III	36.8"	319	145	3.0"	1.5"	12.0"	A
10,000	4,600	46.9"	2.2"-40.9"	7" ①	100K-FPS-B061	III	39.8"	343	156	3.0"	1.5"	12.0"	A
Yale													
10,000	4,600	42.0"	2.2"-36.1"	7" ①	100K-FPS-B001	III	36.8"	319	145	3.0"	1.5"	12.0"	B
10,000	4,600	48.0"	2.2"-42.1"	7" ①	100K-FPS-B002	III	41.9"	350	159	3.0"	1.5"	12.0"	B

① Adjustable to 5" and 6" wide forks. Add 4.3" and 2.3" to minimum opening range respectively.

- ▶ Forks are not included with attachment.
- ▶ 8" total sideshift.
- ▶ For availability of Truck specific Installation Kits contact Cascade or submit OEM Truck Model and Mast Type when ordering.
- ▶ Overall Width, A dim, is limited to 55.1" on all 100K Series.

▶ 60" fork maximum length.

- ▶ Load Backrest Types:
 - A: End hole patterns
 - B: Face hole patterns
 - C: Face hole patterns with counterbore

Cascade Corporation • PO Box 20187 • Portland, OR 97294-0187 • USA • 800 CASCADE (227.2233) • Tel 503.669.6257 • Fax 800.693.3768 • Fax 503.669.6367
 Cascade Canada Ltd. • 5570 Timberlea Blvd. • Mississauga, Ontario L4W 4M6 • Canada • 800.380.2272 • Tel 905.629.7777 • Fax 905.629.7785