



## The fork positioner for warehousing and distribution material handling requirements.

### APPLICATIONS

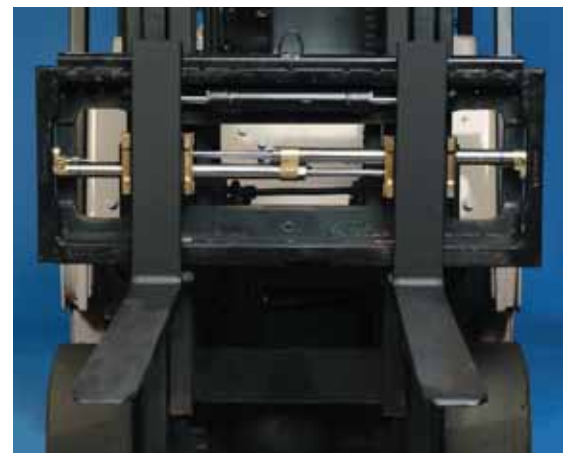
The 55K sideshifting fork positioner is recommended for cushion tire trucks in distribution, warehousing and light manufacturing operations. This high visibility fork positioner allows the operator to accurately position the forks from the driver's seat for handling a variety of pallet configurations.

### FEATURES

- OEM load backrest compatibility
- Excellent operator visibility
- No-weld installation
- Zinc plated, corrosion resistant components
- Center mount, 4 inch wide fork carriers

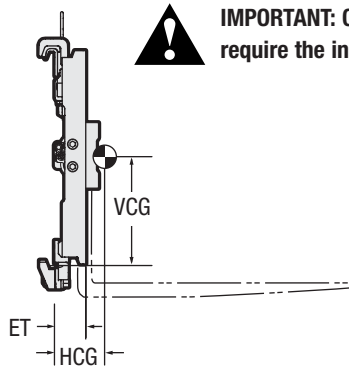
### OPTIONS

- Combination 4- and 5-inch-wide fork carriers
- Bolt-on pallet protector/cylinder guard combinations
- OEM compatible load backrests
- Bronze bearings
- Bronze lower hooks
- Radio Frequency Hydraulic Control

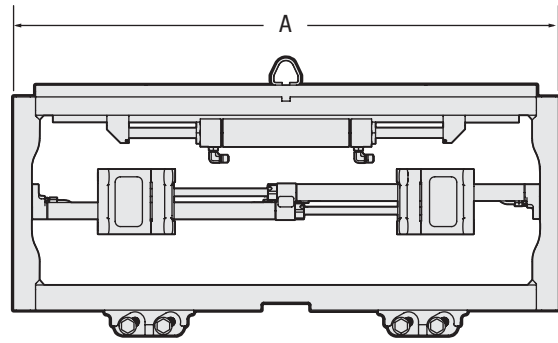


*A refined fork positioner designed to increase productivity, improve safety and decrease product damage.*

# 55K FORK POSITIONER



**IMPORTANT:** OSHA or state regulations may require the installation of backrests.



Capacity @ 24" (600 mm) Load Center		Overall Width	Opening Range	Fork Pocket Width	Catalog Order No.	Mtg. Class	Min. Truck Carriage Width	Weight		Effective Thickness	Horizontal Ctr. of Gravity	Vertical Ctr. of Gravity
lbs	kg	A	ITO					lbs	kg	ET	HCG	VCG
<b>Cascade</b>												
5,500	2,495	31.0"	2.0"-26.1"	4"	<b>55K-FPS-A056</b>	II	28.9"	123	56	2.3"	1.2"	9.0"
5,500	2,495	37.0"	2.0"-32.1"	4"	<b>55K-FPS-A051</b>	II	35.2"	136	62	2.3"	1.2"	8.9"
5,500	2,495	41.0"	2.0"-36.1"	4"	<b>55K-FPS-A052</b>	II	35.2"	145	66	2.3"	1.2"	8.9"
<b>Caterpillar</b>												
5,500	2,495	32.3"	2.0"-27.4"	4"	<b>55K-FPS-A224</b>	II	28.9"	126	57	2.3"	1.2"	9.0"
5,500	2,495	36.2"	2.0"-31.3"	4"	<b>55K-FPS-A222</b>	II	30.9"	133	61	2.3"	1.2"	8.9"
5,500	2,495	39.4"	2.0"-34.4"	4"	<b>55K-FPS-A223</b>	II	35.2"	142	64	2.3"	1.2"	8.9"
<b>Clark</b>												
5,500	2,495	31.0"	2.0"-26.1"	4"	<b>55K-FPS-A056</b>	II	28.9"	123	56	2.3"	1.2"	9.0"
5,500	2,495	37.0"	2.0"-32.1"	4"	<b>55K-FPS-A051</b>	II	35.2"	136	62	2.3"	1.2"	8.9"
5,500	2,495	41.0"	2.0"-36.1"	4"	<b>55K-FPS-A052</b>	II	35.2"	145	66	2.3"	1.2"	8.9"
<b>Crown</b>												
5,500	2,495	34.5"	2.0"-29.6"	4"	<b>55K-FPS-A062</b>	II	30.9"	131	59	2.3"	1.2"	9.0"
5,500	2,495	38.0"	2.0"-33.1"	4"	<b>55K-FPS-A063</b>	II	35.2"	138	63	2.3"	1.2"	8.9"
<b>Hyster</b>												
5,500	2,495	35.7"	2.0"-30.8"	4"	<b>55K-FPS-A045</b>	II	35.2"	133	61	2.3"	1.2"	8.9"
5,500	2,495	36.0"	2.0"-31.1"	4"	<b>55K-FPS-A001</b>	II	35.2"	134	61	2.3"	1.2"	8.9"
5,500	2,495	38.5"	2.0"-33.5"	4"	<b>55K-FPS-A030</b>	II	35.2"	140	64	2.3"	1.2"	8.9"
5,500	2,495	42.0"	2.0"-37.1"	4"	<b>55K-FPS-A009</b>	II	38.4"	147	67	2.3"	1.2"	8.9"
<b>Kalmar</b>												
5,500	2,495	31.0"	2.0"-26.1"	4"	<b>55K-FPS-A056</b>	II	28.9"	123	56	2.3"	1.2"	9.0"
5,500	2,495	37.0"	2.0"-32.1"	4"	<b>55K-FPS-A051</b>	II	35.2"	136	62	2.3"	1.2"	8.9"
5,500	2,495	41.0"	2.0"-36.1"	4"	<b>55K-FPS-A052</b>	II	35.2"	145	66	2.3"	1.2"	8.9"
<b>Komatsu</b>												
5,500	2,495	31.0"	2.0"-26.1"	4"	<b>55K-FPS-A056</b>	II	28.9"	123	56	2.3"	1.2"	9.0"
5,500	2,495	37.0"	2.0"-32.1"	4"	<b>55K-FPS-A051</b>	II	35.2"	136	62	2.3"	1.2"	8.9"
5,500	2,495	41.0"	2.0"-36.1"	4"	<b>55K-FPS-A052</b>	II	35.2"	145	66	2.3"	1.2"	8.9"

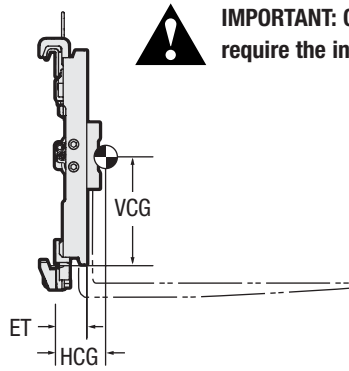
- ▶ Forks are not included with attachment.
- ▶ 8" total sideshift.
- ▶ **60" fork maximum length.**
- ▶ 55K drilled and tapped to accept current OEM truck model load backrest.
- ▶ Fork positioner function can be actuated with Radio Frequency Hydraulic Control Option. Consult Cascade for product introduction and pricing.

## INSTALLATION KIT

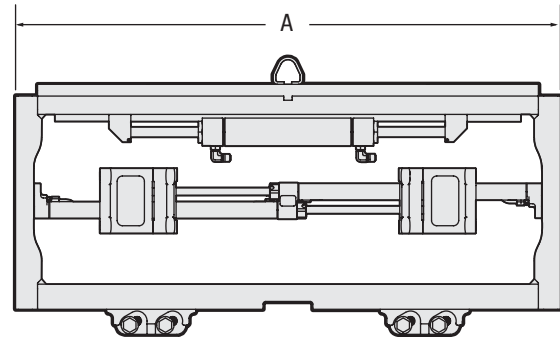
Catalog  
Order No.  
**6053309**

## NOTE

For frame widths wider than 47", refer to the Cascade 55H fork positioner.



**IMPORTANT:** OSHA or state regulations may require the installation of backrests.



Capacity @ 24" (600 mm) Load Center		Overall Width A	Opening Range ITO	Fork Pocket Width	Catalog Order No.	Mfg. Class	Min. Truck Carriage Width	Weight		Effective Thickness ET	Horizontal Ctr. of Gravity HCG	Vertical Ctr. of Gravity VCG
lbs	kg							lbs	kg			
<b>Linde</b>												
5,500	2,495	40.9"	2.0"-36.0"	4"	<b>55K-FPS-A196</b>	II	35.2"	144	66	2.3"	1.2"	8.9"
5,500	2,495	45.3"	2.0"-40.4"	4"	<b>55K-FPS-A199</b>	II	40.9"	155	70	2.3"	1.2"	8.9"
<b>Mitsubishi</b>												
5,500	2,495	32.3"	2.0"-27.4"	4"	<b>55K-FPS-A224</b>	II	28.9"	126	57	2.3"	1.2"	9.0"
5,500	2,495	36.2"	2.0"-31.3"	4"	<b>55K-FPS-A222</b>	II	30.9"	133	61	2.3"	1.2"	8.9"
5,500	2,495	39.4"	2.0"-34.4"	4"	<b>55K-FPS-A223</b>	II	35.2"	142	64	2.3"	1.2"	8.9"
<b>Nissan</b>												
5,500	2,495	32.4"	2.0"-27.5"	4"	<b>55K-FPS-A470</b>	II	28.9"	126	57	2.3"	1.2"	9.0"
5,500	2,495	36.2"	2.0"-31.3"	4"	<b>55K-FPS-A469</b>	II	35.2"	134	61	2.3"	1.2"	8.9"
5,500	2,495	40.2"	2.0"-35.2"	4"	<b>55K-FPS-A471</b>	II	35.2"	143	65	2.3"	1.2"	8.9"
<b>Raymond</b>												
5,500	2,495	37.0"	2.0"-32.1"	4"	<b>55K-FPS-A160</b>	II	35.2"	136	62	2.3"	1.2"	8.9"
<b>TCM</b>												
5,500	2,495	38.1"	2.0"-33.2"	4"	<b>55K-FPS-A084</b>	II	35.2"	139	63	2.3"	1.2"	8.9"
5,500	2,495	40.9"	2.0"-35.9"	4"	<b>55K-FPS-A081</b>	II	35.2"	145	66	2.3"	1.2"	8.9"
<b>Toyota</b>												
5,500	2,495	31.9"	2.0"-27.0"	4"	<b>55K-FPS-A011</b>	II	28.9"	125	57	2.3"	1.2"	9.0"
5,500	2,495	36.2"	2.0"-31.3"	4"	<b>55K-FPS-A087</b>	II	30.9"	133	61	2.3"	1.2"	8.9"
5,500	2,495	40.2"	2.0"-35.2"	4"	<b>55K-FPS-A086</b>	II	35.2"	143	65	2.3"	1.2"	8.9"
<b>Yale</b>												
5,500	2,495	35.7"	2.0"-30.8"	4"	<b>55K-FPS-A045</b>	II	35.2"	133	61	2.3"	1.2"	8.9"
5,500	2,495	38.5"	2.0"-33.5"	4"	<b>55K-FPS-A030</b>	II	35.2"	140	64	2.3"	1.2"	8.9"
5,500	2,495	39.1"	2.0"-34.1"	4"	<b>55K-FPS-A041</b>	II	35.2"	141	64	2.3"	1.2"	8.9"
5,500	2,495	42.0"	2.0"-37.1"	4"	<b>55K-FPS-A009</b>	II	38.4"	147	67	2.3"	1.2"	8.9"

- ▶ Forks are not included with attachment.
- ▶ 8" total sideshift.
- ▶ **60" fork maximum length.** For longer forks, contact Cascade.
- ▶ 55K drilled and tapped to accept current OEM truck model load backrest.
- ▶ Fork positioner function can be actuated with Radio Frequency Hydraulic Control Option. Consult Cascade for product introduction and pricing.
- ▶ Consult Cascade for cylinder guard option.

## INSTALLATION KIT

Catalog  
Order No.  
**6053309**

## NOTE

For frame widths wider than 47", refer to the Cascade 55H fork positioner.

# 55K FORK POSITIONER

- Increases productivity
- Improves operator safety
- Decreases product damage



**Removable fork carrier end** allows forks to be easily installed. No weld-on anchor lug is required.



**Restrictor fittings** on both cylinder ends allow for speed adjustment and fork synchronization.

## OPTIONS



**Bolt-On Pallet/Cylinder Guard** provides additional protection for the pallet and cylinders.



**Radio Frequency Hydraulic Control** provides a simple, cost effective means to position the forks. Permits the use of a single function auxiliary valve to control an additional hydraulic function. Eliminates the need for additional hydraulic hoses or electric cables and offers a minimum of installation time.