



Reliable maintenance-free Fork Positioner for all your material handling requirements

APPLICATIONS

Available in Class IV models, this heavy duty sideshifting fork positioner can be used in the most rugged environments and allows drivers to position forks accurately for a variety of pallet configurations, without ever leaving their seat.

Recommended for heavy duty applications, including automotive, steel, lumber and various outdoor uses. Suitable for both standard and long ITA fork applications.

FEATURES

- T-bar style fork carriers with replaceable bearing segments ensure smooth travel
- Easily installable load backrest
- Open constructed frame allows fork carriers to extend outside of the frame end bar
- Multiple fork locations on carrier allows for different fork widths
- Excellent operator visibility
- Standard flow division provides equal arm travel

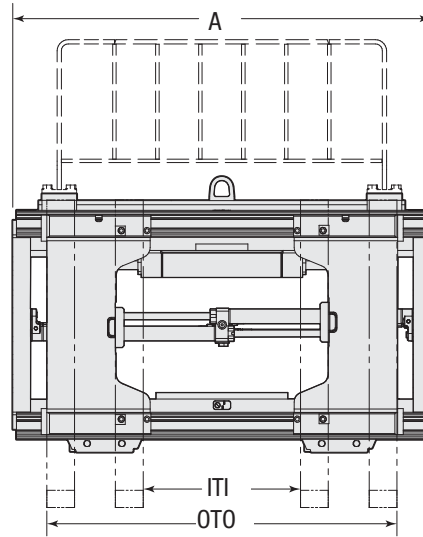
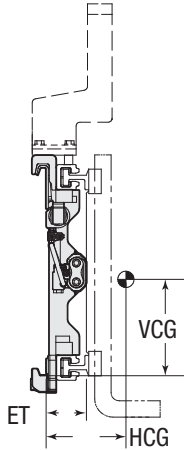
OPTIONS

- Non-sideshifting
- Independent Arm Control
- Radio Frequency (RF) Hydraulic Control
- Sequence Valve Hydraulic Control
- Antidrift
- Custom load backrest heights
- Bronze bearings and lower hooks



*Durable Fork
Positioner for
heavy duty
applications.*

L-SERIES FORK POSITIONER



Catalog Order No.	Capacity @ 24" (600 mm) Load Center		Carriage Width w/o Load Backrest A	Opening Range ITI-OTO	Fork Pocket Width	Mtg. Class	Min. Truck Carriage Width		Weight		Effective Thickness ET	Horizontal Ctr. of Gravity HCG	Vertical Ctr. of Gravity VCG	Total Sideshift
	lbs	kg					lbs	kg	lbs	kg				
55L-FPS-C049	12,000	5,500	49.0"	2.4"-50.6"	6"/7"/8"	IV	41.9"	638	290	5.9"	2.5"	14.1"	8"	
55L-FPS-C055	12,000	5,500	55.1"	2.4"-56.7"	6"/7"/8"	IV	46.0"	675	307	5.9"	2.4"	14.3"	8"	
55L-FPS-C061	12,000	5,500	61.0"	2.4"-62.6"	6"/7"/8"	IV	52.0"	768	349	5.9"	2.3"	14.1"	8"	
55L-FPS-C068	12,000	5,500	68.1"	2.4"-69.7"	6"/7"/8"	IV	60.0"	818	372	5.9"	2.3"	14.2"	8"	
55L-FPS-C072	12,000	5,500	72.0"	2.4"-73.6"	6"/7"/8"	IV	60.0"	843	383	5.9"	2.2"	14.3"	8"	
55L-FPS-C075	12,000	5,500	75.0"	2.4"-76.6"	6"/7"/8"	IV	69.5"	865	393	5.9"	2.2"	14.4"	8"	
55L-FPS-C080	12,000	5,500	80.1"	2.4"-81.7"	6"/7"/8"	IV	69.5"	942	428	5.9"	2.2"	14.3"	8"	
55L-FPS-C086	12,000	5,500	86.0"	2.4"-87.6"	6"/7"/8"	IV	77.8"	981	446	5.9"	2.2"	14.4"	8"	
55L-FPS-C092	12,000	5,500	92.1"	2.4"-93.7"	6"/7"/8"	IV	77.8"	1,021	464	5.9"	2.1"	14.4"	8"	
55L-FPS-C096	12,000	5,500	96.1"	2.4"-97.6"	6"/7"/8"	IV	82.0"	1,054	479	5.9"	2.1"	14.5"	8"	
70L-FPS-C024	15,400	7,000	48.0"	2.4"-49.6"	6"/7"/8"	IV	46.0"	638	290	5.9"	2.5"	14.1"	12"	
70L-FPS-C049	15,400	7,000	49.0"	2.4"-50.6"	6"/7"/8"	IV	46.0"	6429	292	5.9"	2.5"	14.1"	12"	
70L-FPS-C055	15,400	7,000	55.1"	2.4"-56.7"	6"/7"/8"	IV	53.5"	691	314	5.9"	2.4"	14.1"	12"	
70L-FPS-C061	15,400	7,000	61.0"	2.4"-62.6"	6"/7"/8"	IV	60.0"	774	352	5.9"	2.3"	14.1"	12"	
70L-FPS-C068	15,400	7,000	68.1"	2.4"-69.7"	6"/7"/8"	IV	65.9"	825	375	5.9"	2.2"	14.3"	12"	
70L-FPS-C072	15,400	7,000	72.0"	2.4"-73.6"	6"/7"/8"	IV	65.9"	849	386	5.9"	2.2"	14.3"	12"	
70L-FPS-C075	15,400	7,000	75.0"	2.4"-76.6"	6"/7"/8"	IV	72.0"	869	395	5.9"	2.2"	14.4"	12"	
70L-FPS-C004	15,400	7,000	77.6"	2.4"-79.1"	6"/7"/8"	IV	78.0"	889	404	5.9"	2.2"	14.4"	12"	
70L-FPS-C080	15,400	7,000	80.1"	2.4"-81.7"	6"/7"/8"	IV	77.8"	948	431	5.9"	2.2"	14.4"	12"	
70L-FPS-C086	15,400	7,000	86.0"	2.4"-87.6"	6"/7"/8"	IV	85.0"	997	453	5.9"	2.1"	14.3"	12"	
70L-FPS-C092	15,400	7,000	92.1"	2.4"-93.7"	6"/7"/8"	IV	85.0"	1,034	470	5.9"	2.1"	14.4"	12"	
70L-FPS-C096	15,400	7,000	96.1"	2.4"-97.6"	6"/7"/8"	IV	89.0"	1,060	482	5.9"	2.1"	14.4"	12"	

- ▶ Suitable for 6", 7", 8" & 10" forks.
- ▶ Not recommended for clamping between forks.
- ▶ Forks are not included.
- ▶ Non-Sideshifting units also available.
- ▶ For Forks longer than 60" or load center exceeding 30" Consult Cascade.

Cascade Corporation • PO Box 20187 • Portland, OR 97294-0187 • USA • 800 CASCADE (227.2233) • Tel 503.669.6257 • Fax 800.693.3768 • Fax 503.669.6367
 Cascade Canada Ltd. • 5570 Timberlea Blvd. • Mississauga, Ontario L4W 4M6 • Canada • 800.380.2272 • Tel 905.629.7777 • Fax 905.629.7785