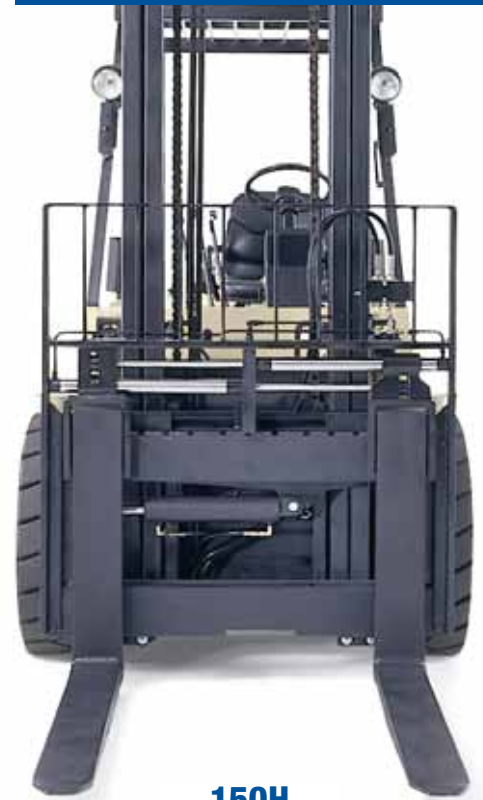




55H



150H

The fork positioner for distribution and manufacturing material handling requirements.

APPLICATIONS

The 55H side-shifting fork positioner is recommended for cushion tire trucks in distribution, warehousing, and light manufacturing operations.

The 150H side-shifting fork positioner is recommended for applications in distribution, manufacturing, food processing and limited outdoor uses.

FEATURES

- No-weld installation
- Top mount fork carriers
- Excellent visibility
- Load backrest integral to frame

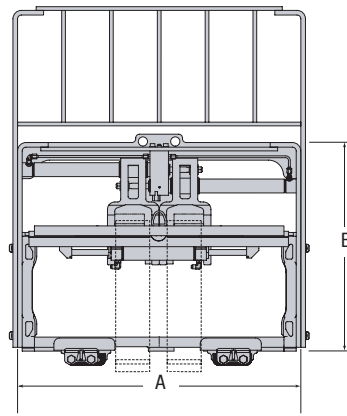
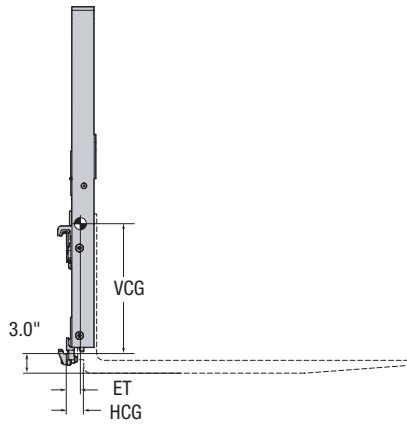
OPTIONS

- Non-side-shifting
- Custom load backrest height
- Custom widths
- Optional fork carrier widths
- Bronze bearings
- Bronze lower hooks



A cost effective, smooth operating side-shifting fork positioner to increase productivity, improve safety and decrease product damage.

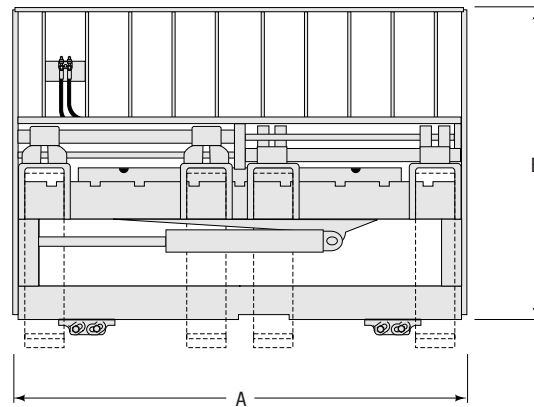
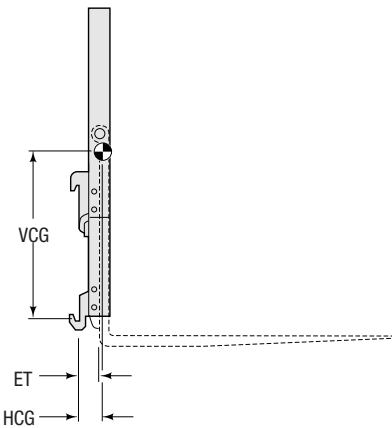
H-SERIES FORK POSITIONER



55H (Class II)

Capacity @ 24" (600 mm) Load Center		Opening Range ITO	Fork pocket Width ①	Catalog Order No.	Mtg. Class	Min. Truck Carriage Width	Weight		Effective Thickness ET	Horizontal Ctr. of Gravity HCG	Vertical Ctr. of Gravity VCG	Overall Width A	Overall Height B
lbs	kg						lbs	kg					
With Backrest (48" height)													
5,500	2,495	2.0"-35.0"	5"	55H-FPS-A137	II	31"	279	152	2.7"	1.80"	20.0"	39.25"	29.65"
5,500	2,495	2.0"-39.0"	5"	55H-FPS-A141	II	37"	293	158	2.7"	1.80"	20.0"	43.25"	29.65"
5,500	2,495	2.0"-47.0"	5"	55H-FPS-A149	II	41"	327	174	2.7"	1.80"	20.0"	51.25"	29.65"

- ▶ Forks are not included with attachment.
- ▶ 8" total sideshift. For non-sideshift option consult Cascade..
- ▶ **60" fork maximum length.**
- ▶ Consult Cascade for frame widths up to 61" wide.
- ▶ Cannot accommodate high shank forks.
- ① Fork Pocket: 55H adjustable to 4" wide forks—Add 2" to minimum closing range.



150H (Class IV)

Capacity @ 24" (600 mm) Load Center		Opening Range ITO	Fork Pocket Width	Catalog Order No.	Mtg. Class	Min. Truck Carriage Width	Weight		Effective Thickness ET	Horizontal Ctr. of Gravity HCG	Vertical Ctr. of Gravity VCG	Overall Width A	Overall Height B
lbs	kg						lbs	kg					
15,000	6,810	4.1"-43.7"	6"	150H-FPS-C051	IV	46"	720	327	3.3"	2.2"	21.65"	50.6"	53.5"
15,000	6,810	4.1"-55.6"	6"	150H-FPS-C053	IV	48"	875	397	3.3"	2.2"	21.65"	63.0"	53.5"
15,000	6,810	4.1"-67.0"	6"	150H-FPS-C055	IV	60"	1,005	457	3.3"	2.2"	21.65"	74.0"	53.5"

- ▶ Forks are not included with attachment.
- ▶ Load backrest integral to frame.
- ▶ Fork width required is 6".
- ▶ 12" total sideshift. For non-sideshift option consult Cascade.
- ▶ Optional 7" and 8" fork pockets available.
- ▶ 96" fork maximum length. For longer forks, consult Cascade.
- ▶ Cannot accommodate high shank forks.

INSTALLATION KIT

Model	Catalog Order No.
55H Single Function	6118753
55H Dual Function	6118567
150H Dual Function	218898
150H Dual Function	218899

Cascade Corporation • PO Box 20187 • Portland, OR 97294-0187 • USA • 800 CASCADE (227.2233) • Tel 503.669.6257 • Fax 800.693.3768 • Fax 503.669.6367

Cascade Canada Ltd. • 5570 Timberlea Blvd. • Mississauga, Ontario L4W 4M6 • Canada • 800.380.2272 • Tel 905.629.7777 • Fax 905.629.7785