



## Attachments for Slipsheet Applications.

### APPLICATIONS

These push/pulls are rugged, heavy duty attachments for high cycle slipsheet applications requiring high productivity with low maintenance. The Cascade dedicated push/pulls are the best performing and durable push/pull available.

### FEATURES

#### ***High production slipsheet handling capabilities***

- High visibility pantograph, gripper jaw and faceplate
- Full bottom taper/adjustable platens
- 4° tilting faceplate
- Chamfered platen corners and gripper jaw design protects the slipsheet

#### ***Strength and durability in demanding applications***

- High strength, rigid pantograph for safe load packing
- T-1 steel platens
- Protected hydraulics
- “Cushion” cylinders reduce operating noise
- Simplified hydraulic circuit

#### ***Easy, versatile mounting***

- Sideshift J-plate is automatically engaged when the push/pull is set on the truck carriage
- No false carriage is required on quick disconnect models

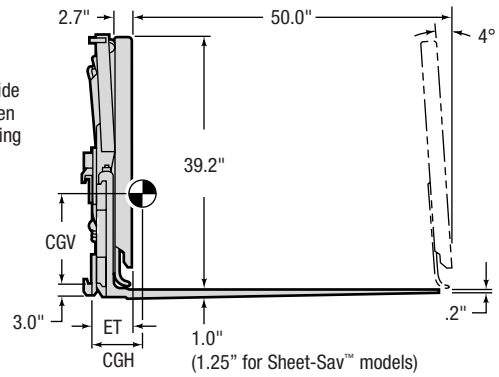
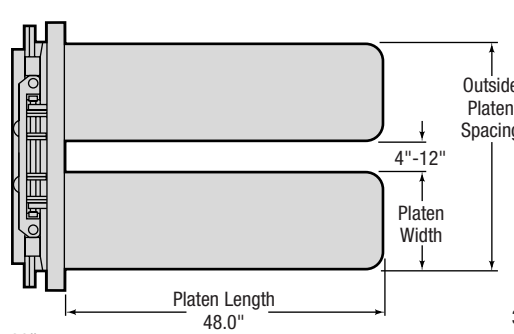
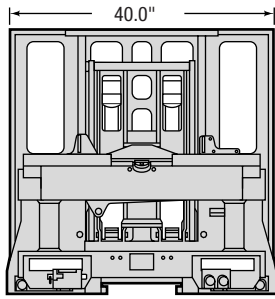
### OPTIONS

- Quick-change hydraulic couplers
- Quick-disconnect mounting
- Hydraulic flow control valve
- Extended height and width faceplates
- Extended push strokes
- Faceplate stop group
- Attachment mounted solenoid adaption group
- Optional platen sizes
- Forks and multiple fork groups
- Class III mounting (45E only)



*A rugged, heavy duty push/pull for general slip sheet applications.*

# 35E & 45E PUSH/PULL



Minimum carriage width non-sideshifting – 28"  
Minimum carriage width sideshifting – 36"

Capacity Load Center	Type	Platen Size (WxL)	Catalog Order No.	Mounting Class/ Lower Hook Type	Outside Platen Spacing	Weight		Effective Thickness ET	Horizontal Center of Gravity CGH	Vertical Center of Gravity CGV
						lbs	kg			
3,500	Sideshifting Push/Pull	18" x 48"	<b>35E-PPS-A001</b>	II Bolt-On	40"-48"	1,105	500	6.5"	8.7"	8.8"
3,500	Sideshifting Push/Pull	15" x 48"	<b>35E-PPS-A003</b>	II Bolt-On	34"-42"	1,055	480	6.5"	8.0"	9.3"
3,500	Non-Sideshifting Push/Pull	18" x 48"	<b>35E-PPB-A001</b>	II Bolt-On	40"-48"	1,090	495	6.5"	8.8"	8.8"
3,500	Non-Sideshifting Push/Pull	15" x 48"	<b>35E-PPB-A003</b>	II Bolt-On	34"-42"	1,040	470	6.5"	8.1"	9.4"
3,500	Hydraulically Adjustable Platens & Sideshifting	18" x 48"	<b>35E-PHS-A001</b> ①	II Bolt-On	40"-48"	1,115	505	6.5"	8.7"	8.8"
3,500	Hydraulically Adjustable Platens & Sideshifting	15" x 48"	<b>35E-PHS-A003</b> ①	II Bolt-On	34"-42"	1,065	485	6.5"	8.0"	9.3"
3,500	Sheet-Sav™ Sideshifting	18" x 48"	<b>35E-PAS-A001</b> ②	II Bolt-On	40"-44"	1,395	635	9.0"	10.1"	8.2"
3,500	Sheet-Sav™ Sideshifting	15" x 48"	<b>35E-PAS-A003</b> ②	II Bolt-On	34"-38"	1,330	605	9.0"	9.4"	8.8"
3,500	Sideshifting Platens		<b>35E-PPJ</b> ①		Consult Cascade					
3,500	Sideshifting Load Push	18" x 48"	<b>35E-PLS-A001</b>	II Bolt-On	40"-48"	1,005	455	6.5"	9.1"	8.5"
3,500	Sideshifting Load Push	15" x 48"	<b>35E-PLS-A003</b>	II Bolt-On	34"-42"	955	435	6.5"	8.3"	9.0"
3,500	Non-Sideshifting Load Push	18" x 48"	<b>35E-PLB-A001</b>	II Bolt-On	40"-48"	990	450	6.5"	9.2"	8.6"
3,500	Non-Sideshifting Load Push	15" x 48"	<b>35E-PLB-A003</b>	II Bolt-On	34"-42"	940	425	6.5"	8.4"	9.1"
4,500	Sideshifting Push/Pull	18" x 48"	<b>45E-PPS-A001</b>	II Bolt-On	40"-48"	1,135	515	6.5"	9.1"	8.5"
4,500	Sideshifting Push/Pull	15" x 48"	<b>45E-PPS-A003</b>	II Bolt-On	34"-42"	1,080	490	6.5"	8.3"	9.0"
4,500	Non-Sideshifting Push/Pull	18" x 48"	<b>45E-PPB-A001</b>	II Bolt-On	40"-48"	1,120	510	6.5"	9.2"	8.6"
4,500	Non-Sideshifting Push/Pull	15" x 48"	<b>45E-PPB-A003</b>	II Bolt-On	34"-42"	1,065	485	6.5"	8.4"	9.1"
4,500	Hydraulically Adjustable Platens & Sideshifting	18" x 48"	<b>45E-PHS-A001</b> ①	II Bolt-On	40"-48"	1,142	520	6.5"	9.1"	8.5"
4,500	Hydraulically Adjustable Platens & Sideshifting	15" x 48"	<b>45E-PHS-A003</b> ①	II Bolt-On	34"-42"	1,090	495	6.5"	8.3"	9.0"
4,500	Sheet-Sav™ Sideshifting	18" x 48"	<b>45E-PAS-A001</b> ②	II Bolt-On	40"-44"	1,395	635	9.0"	10.1"	8.2"
4,500	Sheet-Sav™ Sideshifting	15" x 48"	<b>45E-PAS-A003</b> ②	II Bolt-On	34"-38"	1,330	605	9.0"	9.4"	8.8"
4,500	Sideshifting Platens		<b>45E-PPJ</b> ①		Consult Cascade					
4,500	Load Push	18" x 48"	<b>45E-PLS-A001</b>	II Bolt-On	40"-48"	1,035	470	6.5"	9.5"	8.2"
4,500	Sideshifting Load Push	15" x 48"	<b>45E-PLS-A003</b>	II Bolt-On	34"-42"	980	445	6.5"	8.7"	8.8"
4,500	Non-Sideshifting Load Push	18" x 48"	<b>45E-PLB-A001</b>	II Bolt-On	40"-48"	1,020	465	6.5"	9.6"	8.3"
4,500	Non-Sideshifting Load Push	15" x 48"	<b>45E-PLB-A003</b>	II Bolt-On	34"-42"	965	440	6.5"	8.8"	8.8"

① This base unit is equipped with two solenoids and may be controlled with a single auxiliary valve on the truck. **IMPORTANT:** Solenoid voltage must match truck voltage. Please specify truck voltage when ordering.

② This unit is solenoid equipped for the Sheet-Sav™ function. A two-function hydraulic supply is required. The sideshift and push/pull functions are actuated directly with the auxiliary valves. The Sheet-Sav™ function is actuated by depressing the solenoid button and then actuating the push/pull valve. The control knob with a push button is included. **IMPORTANT:** Solenoid voltage must match truck voltage. Please specify truck voltage when ordering.

► Quick-Disconnect mounting also available.

## INSTALLATION KIT

Type	Catalog Order No.
PPB, PHS, PPJ, PLB	685558
PPS, PAS, PLS	685559

## APPLICATIONS

18" X 48" Platens: Recommended for applications where push/pull will not be handling pallets. Provides 40" minimum width slipsheet base.

15" X 48" Platens: Recommended for applications where push/pull will be used to handle pallets. Provides 34" minimum width slipsheet base.